

TOPOGRAPHIC SURVEY FOR ROCKY FORK CEMETERY

IN SECTION 11, TOWNSHIP 49 NORTH, RANGE 13 WEST
BOONE COUNTY, MISSOURI
JULY 15, 2009

JOB # 08343.01
TOPOGRAPHIC SURVEY FOR ROCKY FORK CEMETERY-SECTION 11-49-13

WARRANTY DEED RECORDED IN BOOK 2402, PAGE 117

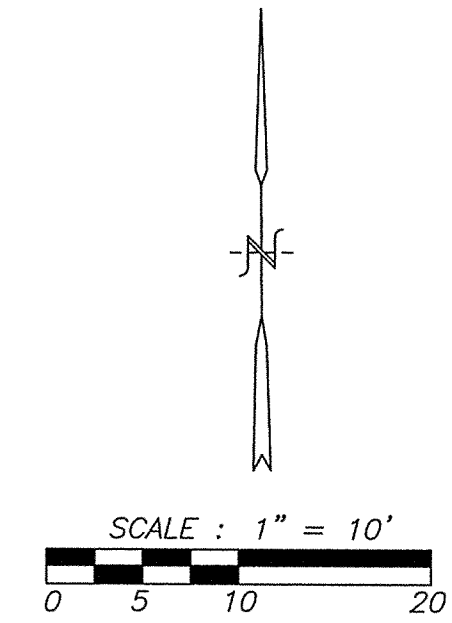
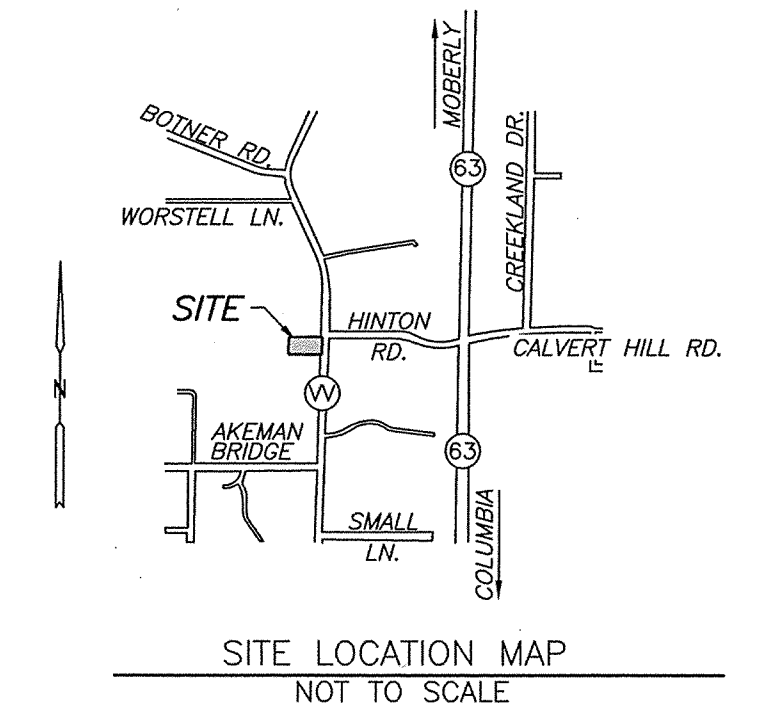
WARRANTY DEED RECORDED IN BOOK 2402, PAGE 117

NORTHEAST CORNER, NW1/4, NE1/4,
SECTION 11, TOWNSHIP 49 NORTH, RANGE
13 WEST, AS SHOWN BY THE SURVEY
RECORDED IN BOOK 717, PAGE 202

NORTH LINE OF BOONE
COUNTY SURVEY #4159

MATCHLINE
SEE SHEET 2 OF 3

EXISTING 8'x5'
OUT-BUILDING



BEARINGS ARE REFERENCED TO GRID NORTH OF THE MISSOURI STATE PLANE COORDINATE SYSTEM, CENTRAL ZONE (NAD 83), AS ACQUIRED BY GPS OBSERVATION.

REFERENCE MONUMENT = KD1062 (HINTON)
SCALE FACTOR = 0.9990212

LEGEND

- IRON PIPE (UNLESS NOTED OTHERWISE)
- PERMANENT MONUMENT (5/8" REBAR W/ALUM. CAP)
- △ RIGHT-OF-WAY MARKER
- E EXISTING 1/2" IRON PIPE (UNLESS OTHERWISE NOTED)
- S SET 1/2" IRON PIPE (UNLESS OTHERWISE NOTED)
- I.P. IRON PIPE
- RE 1/2" REBAR
- R/W RIGHT-OF-WAY
- (REC.) RECORD MEASUREMENT
- (M) MEASURED DISTANCE
- ⊕ CENTERLINE
- ⊔ PROPERTY LINE
- - - - - FENCE
- INDIVIDUAL HEADSTONE
- ▣ MULTIPLE PERSON HEADSTONE OPPOSITE SIDES (UNLESS NOTED OTHERWISE)
- ▤ MULTIPLE PERSON HEADSTONE SIDE BY SIDE (UNLESS NOTED OTHERWISE)
- ⊠ UNDETERMINED MARKER OR HEADSTONE (INITIALED)

BOONE COUNTY SURVEY #5872
QUIT-CLAIM DEED RECORDED IN BOOK 762, PAGE 614

208.73(3.16-1/4 CHS.) (REC.)
194.21'

ND°56'20"E

AREA WITH MOUNDS OF HEADSTONES LAYING IN FENCE LINE

ROCKY FORK CEMETERY GROUNDS
BOONE COUNTY SURVEY #4159
BOONE COUNTY SURVEY #5872
SURVEY RECORDED IN BOOK _____, PAGE _____

FLOOD PLAIN STATEMENT

THIS TRACT IS NOT LOCATED WITHIN THE 100-YEAR FLOOD PLAIN AS SHOWN BY BOONE COUNTY FLOOD PLAIN MAP COMMUNITY PANEL NO. 290034 0075 B, DATED JUNE 15, 1983

NOTES

1. THIS SURVEY CONFORMS TO THE ACCURACY STANDARDS FOR SUBURBAN PROPERTY AS DEFINED BY MISSOURI STATUTE 20 CSR 2030-16.040(2)(B).
2. A CURRENT TITLE COMMITMENT WAS NOT PROVIDED AT THE TIME OF THIS SURVEY. RECORD TITLE INFORMATION WAS OBTAINED FROM THE BOONE COUNTY RECORDER'S OFFICE.

PROPERTY DESCRIPTION

A TRACT OF LAND COMMONLY KNOWN AS THE ROCKY FORK CHURCH CEMETERY GROUNDS, LOCATED IN THE NORTHEAST QUARTER OF THE NORTHEAST QUARTER OF SECTION 11, TOWNSHIP 49 NORTH, RANGE 13 WEST, BOONE COUNTY MISSOURI, BEING THE 2 ACRE TRACT AS DESCRIBED BY BOONE COUNTY SURVEY #4159.

THIS SURVEY WAS MADE IN CONFORMANCE WITH THE CURRENT MISSOURI MINIMUM STANDARDS FOR PROPERTY BOUNDARY SURVEYS.

SURVEY BY
ALLSTATE CONSULTANTS
3312 LEMONE INDUSTRIAL BLVD.
COLUMBIA, MO 65201
(573) 875-8799

STATE OF MISSOURI
MICHAEL L. KLASING
JULY 15 2009
7-15-09
DATE

BOONE COUNTY SURVEY #5872
QUIT-CLAIM DEED RECORDED IN BOOK 762, PAGE 614